

DATE: _____

JOB: _____

ELEVATOR/FLOOR: _____

OPERATOR/INTERLOCK: _____

KEYWAY: RIGHT DOOR SHOWN?

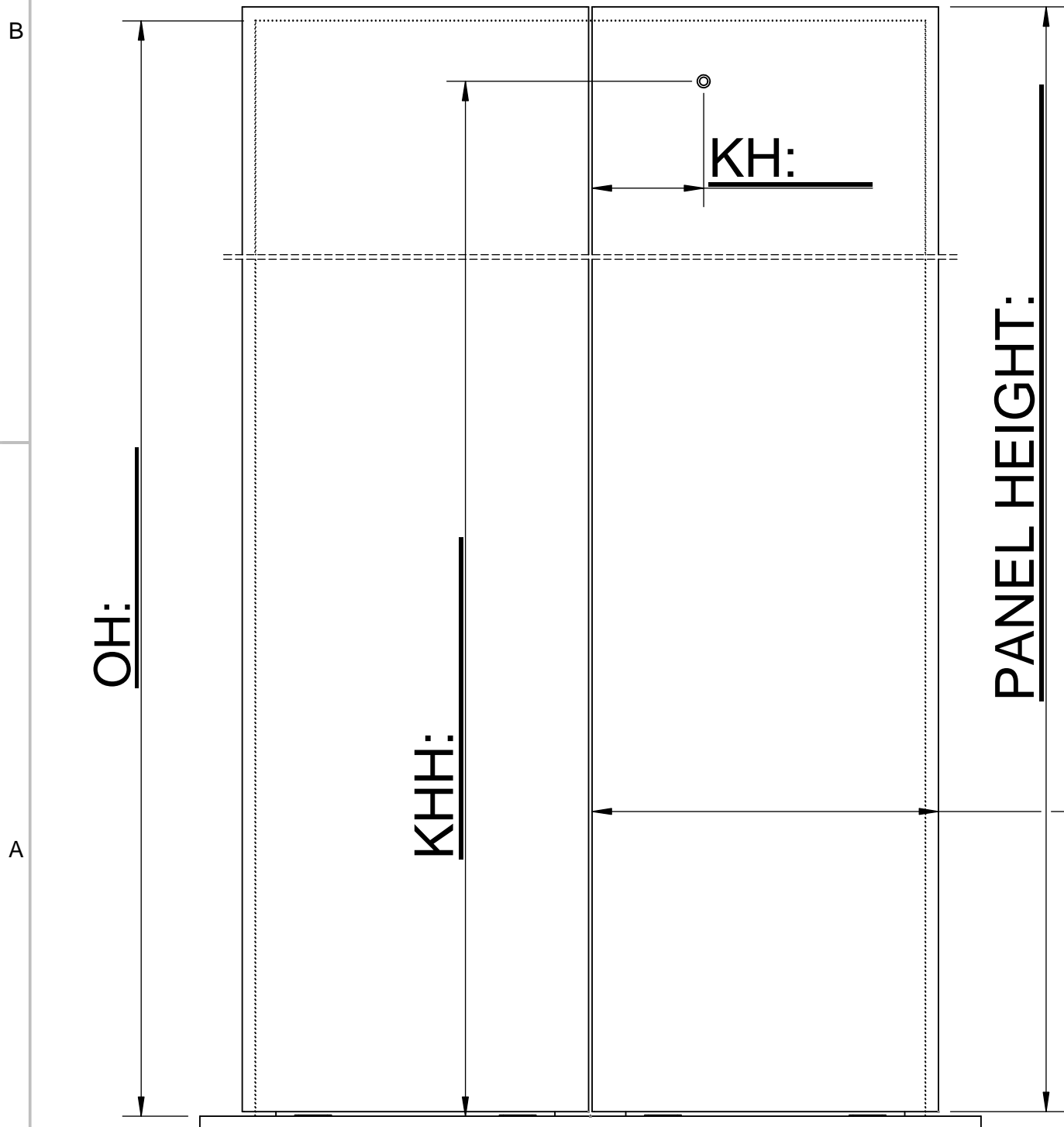
LEFT DOOR OPPOSITE?

NOT REQUIRED?

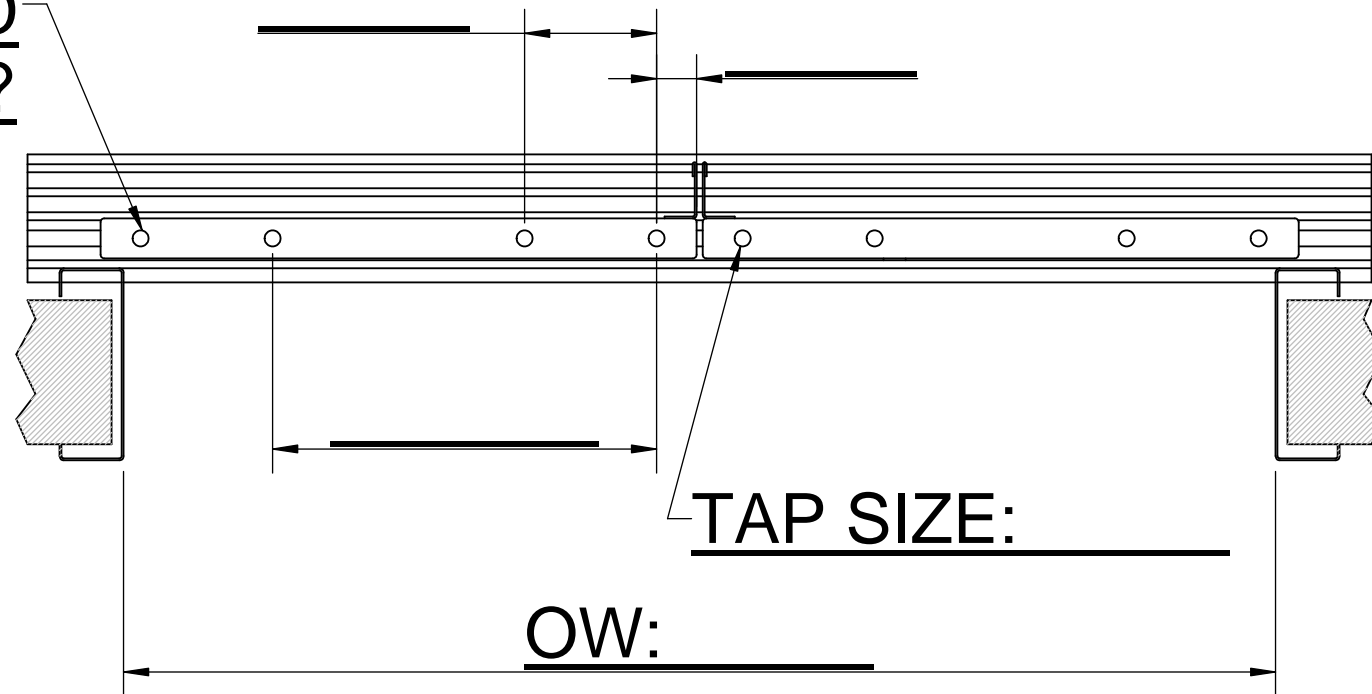
INSTRUCTIONS: FILL ALL BLANKS,
INDICATE DOOR TOP TAP SIZE ($\frac{3}{8}$ -16, $\frac{1}{2}$ -13, M10, M12)
ADVISE DOOR DRILLING TEMPLATE OR SKETCH

**2 OR 4
TAPPED
HOLES?**

REVISIONS			
REV.	DESCRIPTION	DATE	APPROVED



HALLSIDE ELEVATION (VIEW FROM HALLWAY)



SILL TO DOOR:

DOOR THK:

SILL:

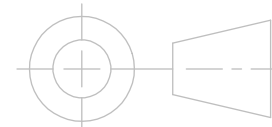
**PANEL
WIDTH:**

****WARNING****
 PROPRIETARY INFORMATION
 REPRODUCTION AND/OR USE OF ALL OR
 ANY PART OF THIS (THESE) PAGE(S) OR
 THE INFORMATION HEREIN WITHOUT
 EXPRESS PERMISSION OF NORA
 NGUYEN AND/OR LEO TOMPERI IS
 STRICTLY PROHIBITED BY LAW.
 VIOLATORS WILL BE PROSECUTED

DRAWN BY
LT

DATE
06.30.2023

UNLESS OTHERWISE SPECIFIED
 DIM ARE INCHES
 TOL ON LENGTH $\pm .05$
 HOLE DIA $\pm .01$ ANGLE $\pm 2^\circ$
 THIRD ANGLE PROJECTION



**PERI
Elevator**

TITLE
ENTRANCE/HATCH DOOR SURVEY

DWG NO
ENT-CO-SURVEY

REV